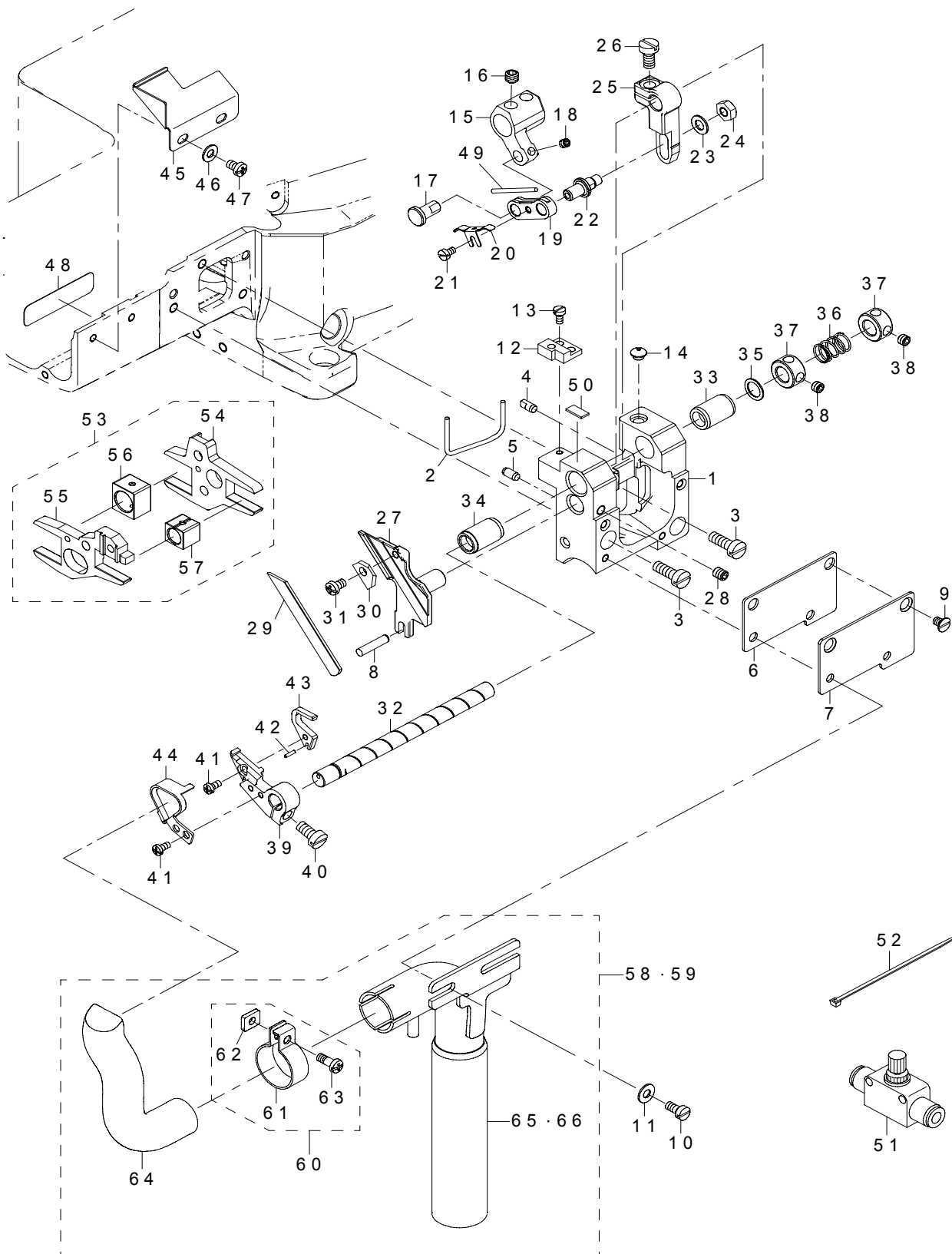


# ***PARTS LIST***

## **MF-7900-H22,23 PARTS LIST**

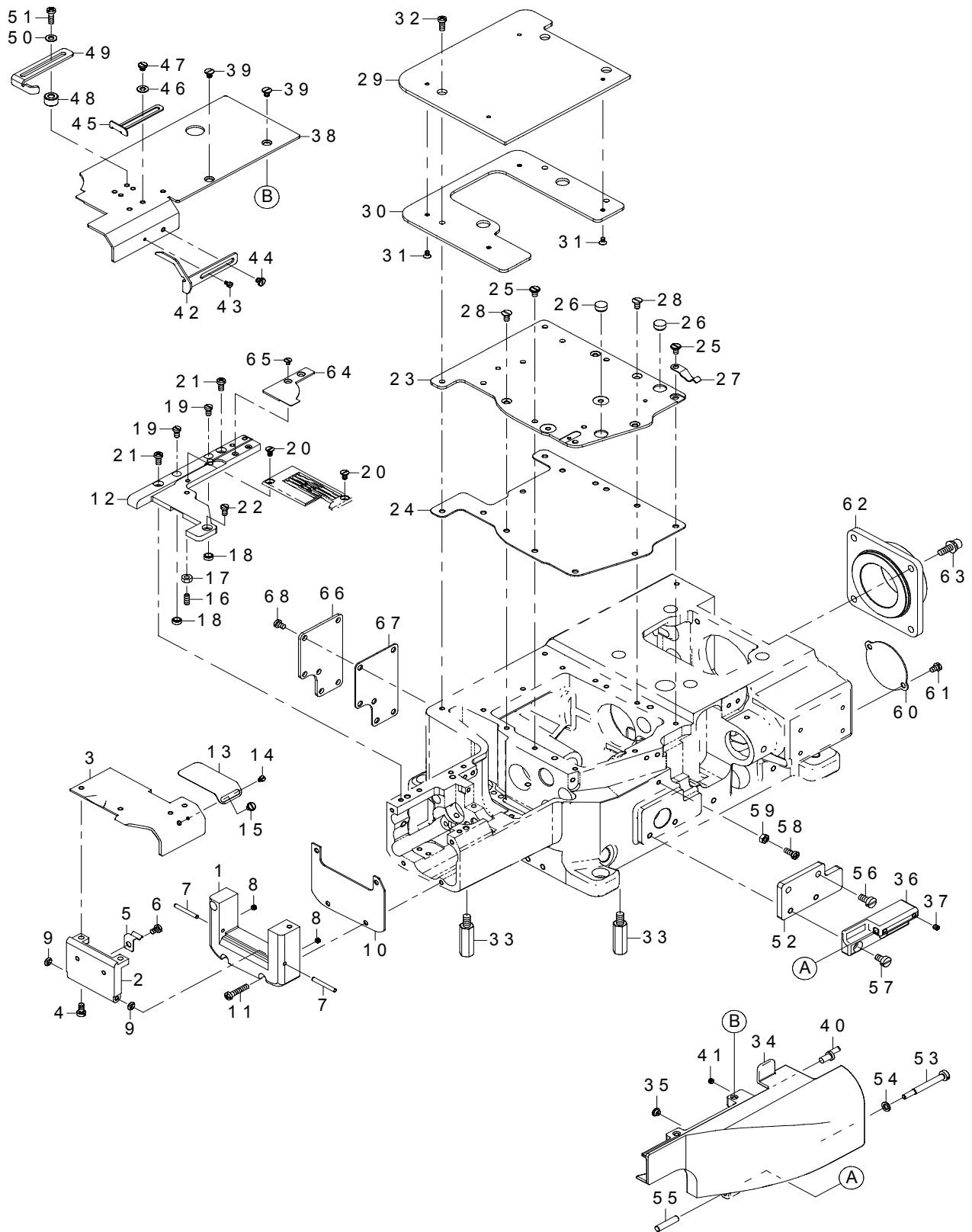
ALL PARTS NOT MENTIONED IN THIS PARTS LIST ARE SAME AS THOSE OF  
MODEL MF-7900 OTHER PARTS LIST RELATED TO THIS MODEL.  
\*MF-7900 SERIES (NO.1599 PART NO.70002009)

# 1. DEVICE COMPONENTS



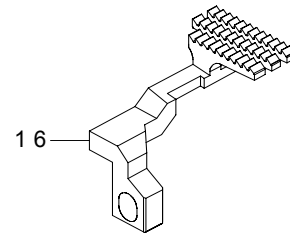
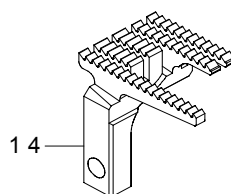
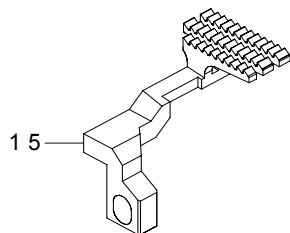
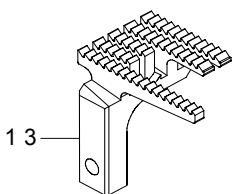
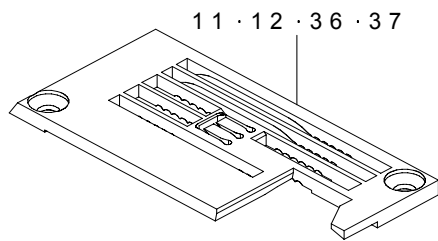
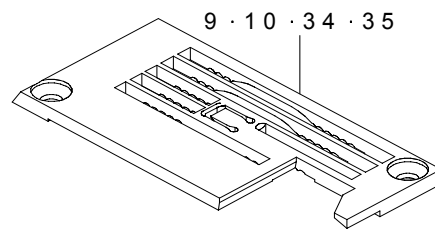
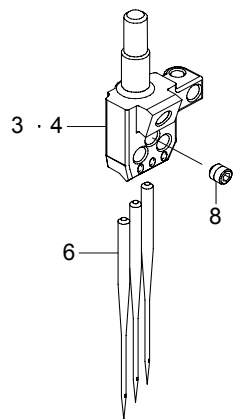
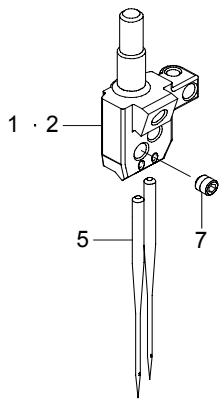
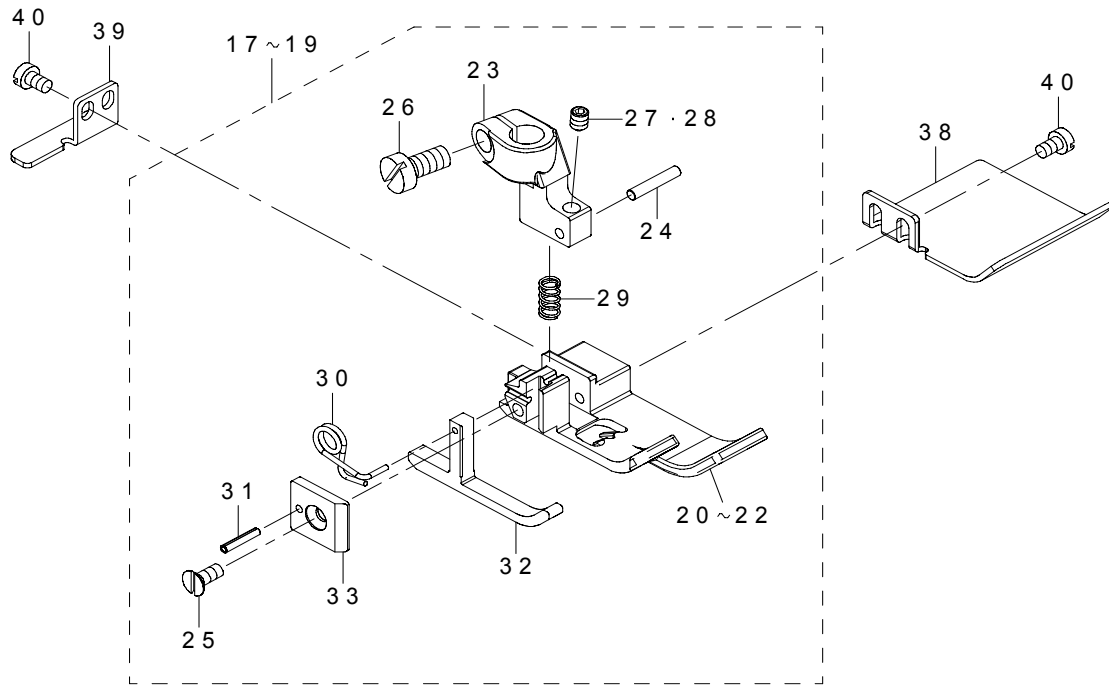
REF.NO	NOTE	PART NO	DESCRIPTION	Qty
1		700-01851	SUPPORT BLOCK	1
2		RO-4372002-00	O-RING	1
3		SM-6051400-SP	SCREW	3
4		133-01908	DOWEL PIN	1
5		133-02500	DOWEL PIN 2	1
6		700-01863	S B COVER GASKET	1
7		700-01864	SUPPORT BLOCK COVER	1
8		PH-0400185-S0	PARALLEL PIN TYPE A 4X18	1
9		SM-1040650-TP	SCREW	2
10		SM-6040800-SP	SCREW	2
11		WP-0450801-SC	WASHER 4.5X10X0.8	2
12		400-40211	TP ADJUST PLATE	1
13		SM-6030600-SP	SCREW M3X0.5 L=6	2
14		133-02302	RUBBER BUMPER	1
15		134-61306	DRIVE LEVER	1
16		SM-8060552-TP	SCREW M6 L=5	2
17		134-61504	LINK PIN	1
18		SM-8040412-TP	SCREW M4X4	1
19		700-01856	LINK	1
20		700-01857	OIL WICK PLATE	1
21		SM-6030500-SN	SCREW M3 L=5	1
22		134-61207	ADJUST PIN	1
23		WP-0550800-SP	WASHER 5.5X10X0.8	1
24		NM-6050001-SP	NUT M5X0.8 TYPE1	1
25		700-01858	ADJUST LEVER	1
26		SM-6051000-SP	SCREW	1
27		700-01855	LOWER KNIFE HOLDER	1
28		SM-8050612-TP	SCREW M5X6	1
29		400-42378	LOWER KNIFE	1
30		400-42319	LOWER KNIFE PRESSER PLATE	1
31		SM-4040655-SP	SCREW M4 L=6	1
32		400-40711	SHAFT	1
33		700-01853	BUSHING RIGHT	1
34		700-01854	BUSHING LEFT	1
35		WP-0820516-SP	WASHER 11.6X8.2X0.6	1
36		400-40306	UPPER KNIFE SPRING	1
37		CS-0800881-TP	THRUST COLLAR D=8 W=8	2
38		SM-8050412-TP	SCREW M5 L=4	2
39		700-01860	UPPER KNIFE HOLDER	1
40		SM-6051000-SP	SCREW	1
41		SM-4030655-SP	SCREW	3
42		PH-0150065-C0	PARALLEL PIN TYPE A 1.5X6	1
43		700-01861	UPPER KNIFE	1
44		700-01889	FABRIC TRIMMER GUIDE	1
45		700-01869	FEED COVER	1
46		WP-0430801-SC	WASHER M4	2
47		SM-4040655-SP	SCREW M4 L=6	2
48		400-40482	CYLINDERBED COVER	1
49		CQ-3030000-00	COTTON OIL WICK D=3	0.2
50		134-03605	RUBBER PLATE	1
51		PC-0126010-00	SPEED CONTROLLER	1
52		EA-9500B01-00	CABLE BAND	1
53		400-40309	FEED BAR ASSY	1
54		134-13901	MAIN FEED BAR	(1)
55		400-39915	DIFF FEED BAR	(1)
56		134-13703	SLIDE BLOCK 1	(1)
57		134-13802	SLIDE BLOCK 2	(1)
58	#01	700-01880	SUCTION PIPE SET TOP	1
59	#02	700-01881	SUCTION PIPE SET SUB	1
60		400-43839	SUCTION PIPE JOINT ASSY	(1)
61		400-43800	SUCTION PIPE JOINT	(1)
62		400-43815	SUCTION PIPE NUT	(1)
63		SM-4041055-SP	SCREW	(1)
64		400-42374	SUCTION PIPE 1	(1)
65	#01	700-01877	SUCTION PIPE ASSY TOP	(1)
66	#02	700-01878	SUCTION PIPE ASSY SUB	(1)
		NOTE	#01....FOR TABLE ATTACH	
			#02....FOR HALF-SUNKEN TYPE TABLE	

## 2. MISCELLANEOUS COVER COMPONENTS



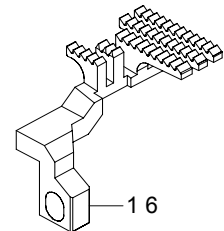
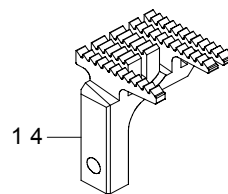
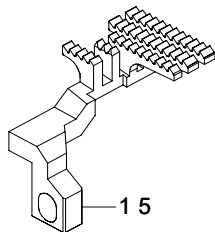
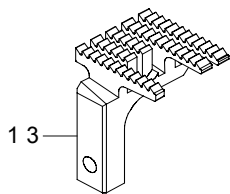
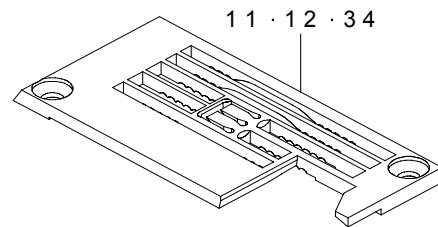
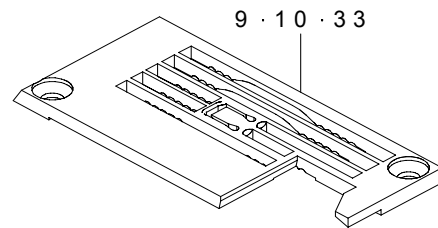
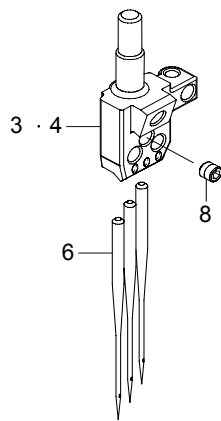
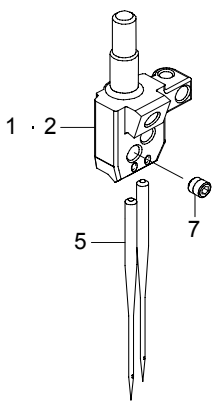
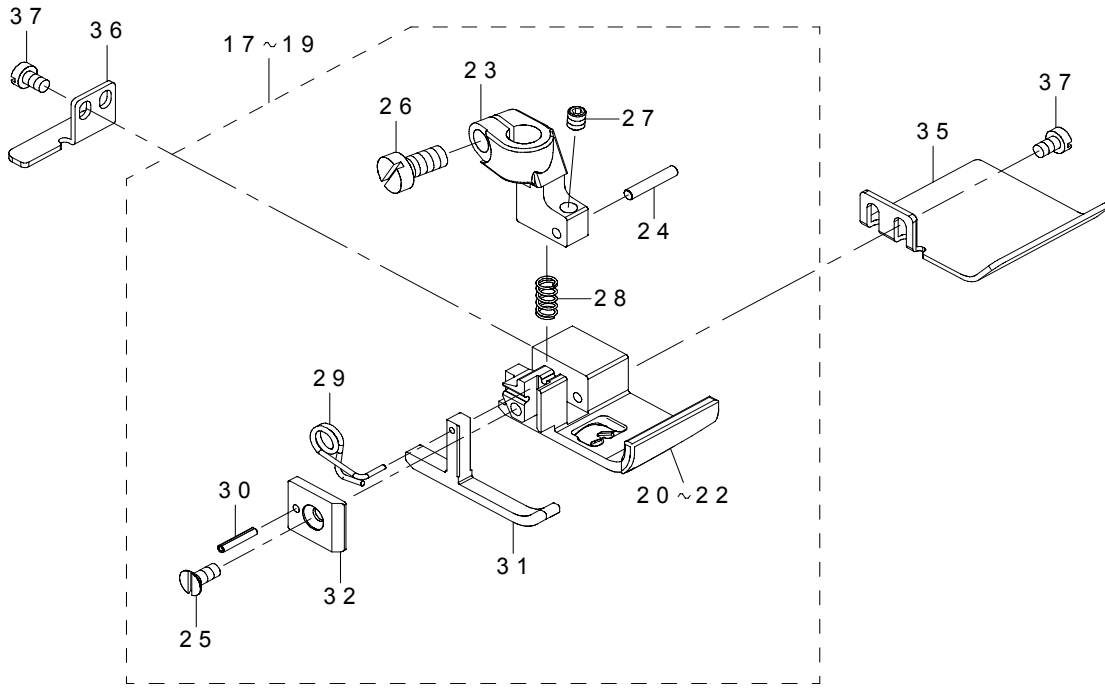
REF.NO	NOTE	PART NO	DESCRIPTION	Qty
1		700-01866	CYLINDER COVER H22	1
2		700-01655	SIDE COVER BOTTOM	1
3		700-01868	SIDE COVER UPPER H22	1
4		SM-6040800-SP	SCREW	2
5		134-01906	LATCH SPRING 2	1
6		SM-4040655-SP	SCREW M4 L=6	1
7		PH-0300252-C0	PARALLEL PIN TYPE B 3X25	2
8		SM-8040360-TP	SCREW	2
9		RO-0371801-00	O-RING	2
10		700-01661	GASKET	1
11		SM-4042055-SP	SCREW	3
12		700-01865	THROAT PLATE SUPPORT H22	1
13		700-01890	SIDE COVER	1
14		SM-6850400-SP	SCREW M2.5 L=4	1
15		SM-6040450-TP	SCREW M4 L=4	1
16		SM-8041012-TP	SCREW M4 L=10	1
17		NM-6040000-SN	NUT M4 TYPE1	1
18		400-82196	ADJUSTING COLLAR	2
19		SM-6040750-TP	SCREW M4 L=7	2
20		133-02203	SCREW	2
21		SM-4040855-SP	SCREW	2
22		SM-6040750-TP	SCREW M4 L=7	1
23		700-01662	COVER PLATE	1
24		700-01663	GASKET B	1
25		SM-6040800-SP	SCREW	6
26		TA-0980502-R0	RUBBER PLUG	2
27		134-02003	LATCH SPRING	1
28		SM-1040860-SP	SCREW	4
29		700-01668	CLOTH PLATE REAR	1
30		700-01670	CLOTH PLATE REAR LOWER	1
31		SM-1030501-SN	SCREW	4
32		SM-4041055-SP	SCREW	3
33		133-01809	SUPPORT STUD	4
34		700-01870	SWING DOWN COVER	1
35		133-02302	RUBBER BUMPER	1
36		700-01648	HINGE	1
37		SM-8040412-TP	SCREW M4X4	2
38		700-01872	CLOTH PLATE FRONT H22	1
39		SM-1040800-SP	SCREW	2
40		134-02706	PIN FOR COVER	1
41		SM-8040360-TP	SCREW	1
42		700-01888	HEM GUIDE LEFT	1
43		SM-6850400-SP	SCREW M2.5 L=4	1
44		SM-6040450-TP	SCREW M4 L=4	1
45		700-01875	HEM GUIDE RIGHT	1
46		WP-0430801-SC	WASHER M4	2
47		SM-6040450-TP	SCREW M4 L=4	2
48		700-01873	HEM GUIDE BASE	2
49		700-01874	HEM GUIDE	1
50		WP-0430801-SC	WASHER M4	2
51		SM-4041255-SP	SCREW M4 L=12	2
52		700-01646	HINGE BASE	1
53		700-01414	SCREW	1
54		WS-0510002-KP	SPRING WASHER 5.1X9.2X1.3	1
55		134-09800	DIFF LINK PIN	1
56		SM-6051000-SP	SCREW	2
57		SM-6050800-SP	SCREW M5 L=8	2
58		SM-4041055-SP	SCREW	1
59		NM-6040000-SN	NUT M4 TYPE1	1
60		700-01673	LOOPER THD COVER	1
61		SM-4040655-SP	SCREW M4 L=6	2
62		700-01436	HOUSING	1
63		SL-6051092-TN	SCREW M5 L=10	4
64		700-01895	THROAT PLATE SUPPORT COVER S	1
65		SM-1030400-SP	SCREW M3 L=4	2
66		700-01642	COVER FOR FEED ADJUST	1
67		700-01643	COVER FOR FEED ADJUST PACKING	1
68		SM-4040855-SP	SCREW	6

### 3. GAUGE COMPONENTS (FOR H22)



REF.NO	NOTE	PART NO	DESCRIPTION	Qty
1	#01	133-50103	NEEDLE HEAD 40	1
2	#02	133-50509	NEEDLE HEAD 48	1
3	#03	133-50301	NEEDLE HEAD 56	1
4	#04	133-50400	NEEDLE HEAD 64	1
5	#05	MUY-128S1000	NEEDLE	2
6	#06	MUY-128S1000	NEEDLE	3
7	#05	SM-8030312-TP	SCREW M3 L=3	3
8	#06	SM-8030312-TP	SCREW M3 L=3	4
9	#01	700-01948	THROAT PLATE	1
10	#02	700-01949	THROAT PLATE	1
11	#03	134-45200	THROAT PLATE	1
12	#04	134-45309	THROAT PLATE	1
13	#05	400-69021	MAIN FEED DOG	1
14	#06	134-31101	MAIN FEED DOG	1
15	#05	400-69022	DIFF FEED DOG	1
16	#06	400-69023	DIFF FEED DOG	1
17	#01	700-01952	PRESSER FOOT ASSY	1
18	#02	400-32255	PRESSER FOOT ASSEMBLY 48	1
19	#06	134-67758	PRESSER FOOT ASSY	1
20	#01	700-01951	PRESSER FOOT BOTTOM	(1)
21	#02	134-67600	PRESSER FOOT BOTTOM	(1)
22	#06	400-29648	PRESSER FOOT BOTTOM	(1)
23		134-67907	PRESSER FOOT SHANK	(1)
24		133-75209	PIVOT PIN	(1)
25		SM-1850600-SP	SCREW	(1)
26		SM-6040800-SP	SCREW	(1)
27		SM-8030402-TP	SCREW M3X0.5 L=4	(1)
28	#02	SM-8030412-TP	SCREW	(1)
29		133-77106	SPRING	(1)
30		133-75308	SPRING L	(1)
31		PS-0150082-KH	SPRING PIN	(1)
32		400-29649	YIELDING SECTION	(1)
33		134-68103	YIELDING SECTION PLATE	(1)
34	#07	400-69018	THROAT PLATE	1
35	#08	700-01950	THROAT PLATE	1
36	#09	400-69019	THROAT PLATE	1
37	#10	400-69020	THROAT PLATE	1
38	#11	400-38064	FABRIC GUIDE	1
39	#11	400-27899	FABRIC GUIDE	1
40	#11	SM-6850400-SP	SCREW M2.5 L=4	4
		NOTE	#01....FOR B40	
			#02....FOR B48	
			#03....FOR B56	
			#04....FOR B64	
			#05....FOR B40,B48	
			#06....FOR B56,B64	
			#07....FOR B40(OPTION TYPE D)	
			#08....FOR B48(OPTION TYPE D)	
			#09....FOR B56(OPTION TYPE D)	
			#10....FOR B64(OPTION TYPE D)	
			#11....ACCESSORY PARTS	

#### 4. GAUGE COMPONENTS (FOR H23)





REF.NO	NOTE	PART NO	DESCRIPTION	Qty
1	#01	133-50103	NEEDLE HEAD 40	1
2	#02	133-50509	NEEDLE HEAD 48	1
3	#03	133-50301	NEEDLE HEAD 56	1
4	#04	133-50400	NEEDLE HEAD 64	1
5	#05	MUY-128S1000	NEEDLE UYX128GAS (S BALL POINT) #10S	2
6	#06	MUY-128S1000	NEEDLE UYX128GAS (S BALL POINT) #10S	3
7	#05	SM-8030312-TP	SCREW	3
8	#06	SM-8030312-TP	SCREW	4
9	#01	400-58639	THROAT PLATE	1
10	#02	134-45101	THROAT PLATE	1
11	#03	400-41203	THROAT PLATE	1
12	#04	400-41204	THROAT PLATE	1
13	#05	400-41249	MAIN FEED DOG	1
14	#06	400-32900	MAIN FEED DOG	1
15	#05	400-41233	DIFF FEED DOG	1
16	#06	400-40376	DIFF FEED DOG	1
17	#01	400-48637	PRESSER FOOT ASSY	1
18	#02	400-39796	PRESSER FOOT ASSY	1
19	#06	400-39794	PRESSER FOOT ASSY	1
20	#01	400-48636	PRESSER FOOT BOTTOM	(1)
21	#02	400-39795	PRESSER FOOT BOTTOM	(1)
22	#06	400-38066	PRESSER FOOT BOTTOM	(1)
23		134-67907	PRESSER FOOT SHANK	(1)
24		133-75209	PIVOT PIN	(1)
25		SM-1850600-SP	SCREW	(1)
26		SM-6040800-SP	SCREW	(1)
27		SM-8030412-TP	SCREW	(1)
28		133-77106	SPRING	(1)
29		133-75308	SPRING L	(1)
30		PS-0150082-KH	SPRING PIN	(1)
31		400-38032	YIELDING SECTION	(1)
32		134-68103	YIELDING SECTION PLATE	(1)
33	#07	400-35066	THROAT PLATE	1
34	#08	400-49944	THROAT PLATE	1
35	#09	400-38064	FABRIC GUIDE	1
36	#09	400-27899	FABRIC GUIDE	1
37	#09	SM-6850400-SP	SCREW M2.5 L=4	4
		NOTE	#01....FOR B40	
			#02....FOR B48	
			#03....FOR B56	
			#04....FOR B64	
			#05....FOR B40,B48	
			#06....FOR B56,B64	
			#07....FOR B40(OPTION TYPE D)	
			#08....FOR B56(OPTION TYPE D)	
			#09....ACCESSORY PARTS	