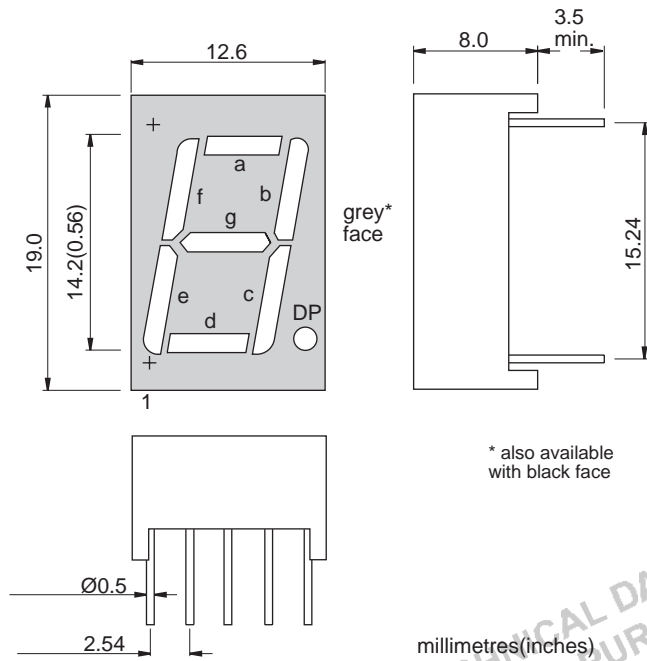


### TOS5161 series

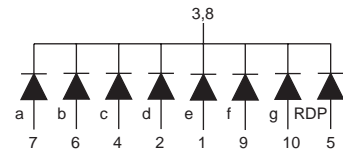


\* also available with black face

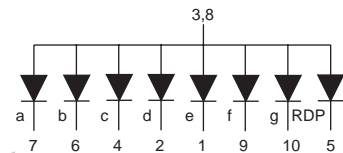
millimetres (inches)

### Schematic Options

**A** Common Cathode R/H Decimal point



**B** Common Anode R/H Decimal point



### Part Number Key

TOS5161

**A**

**S**

Schematic

Colour Code

### Specification

Colour	Red	Red	Red	Green	Yellow	
Colour Code	R	E †	S	G	Y	
Brightness Category	Bright	Extra Bright	Super Bright	Extra Bright	Extra Bright	
Typical Luminous Intensity IF=10mA	700	3500	17500	4000	3500	µcd
Peak Wavelength IF=20mA	697	630	660	565	585	nm
Typical Forward Voltage IF=20mA	2.1	2.1	2.1	2.2	2.1	Volts
Maximum Forward Voltage IF=20mA	2.8	2.8	2.8	2.8	2.8	Volts
Maximum Reverse Current VR=5V	100	100	100	100	100	µA

† Red - Extra Bright (E) also available in low current

This datasheet has been downloaded from:

[www.DatasheetCatalog.com](http://www.DatasheetCatalog.com)

Datasheets for electronic components.